

RH-150AUTO • RH-45AUTO (Superficial) MODULAR ROCKWELL HARDNESS TESTER



High Precision

Repeatable

Automatic

**Fast and Easy
Operation**

Wide Application

**Lightweight:
Less than 20 Kg**

**Small: 500mm X
280mm X 200mm**

**250mm Vertical
Clearance**

130mm Depth



G & R TECHNOLOGY INC.

MAIN UNIT

RH-150AUTO and **RH-45AUTO** (Superficial) Modular Rockwell Hardness Testers are accurate advanced instruments built with precise force sensors and depth measurement systems for high repeatability and reliability. These automatic test machines are easy to use. Just push a button to get a precise test result in 10 seconds!



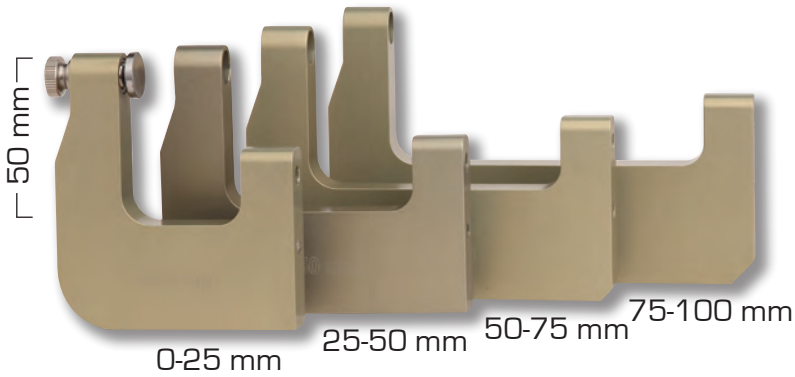
SPECIFICATIONS

	RH-150AUTO	RH-45AUTO
Preliminary Load Kg(N)	10 (98.07)	3 (29.42)
Total Test Force Kg(N)	60, 100, 150 (588.4, 980.7, 1471)	15, 30, 45 (147.1, 294.2, 441.3)
Test Scale	A, B, C	15N, 30N, 45N 15T, 30T, 45T
Test Load Control	Load Cell Based Feedback Loop System	
Test Cycle Type	Motorized (Auto Load, Test and Return)	
Standards Compliant	ASTM E18, ISO 6508, ASTM E140	
Resolution	0.1 HR	
Data Output	Bluetooth (to Printer), USB (to PC)	
Data Memory	1000 Test Results	
Battery	Rechargeable Li-ion Battery Work Time 6 hours Charge Time 2 hours	
Weight	2 Kg	
Dimensions	200mm X 110mm X 46mm	

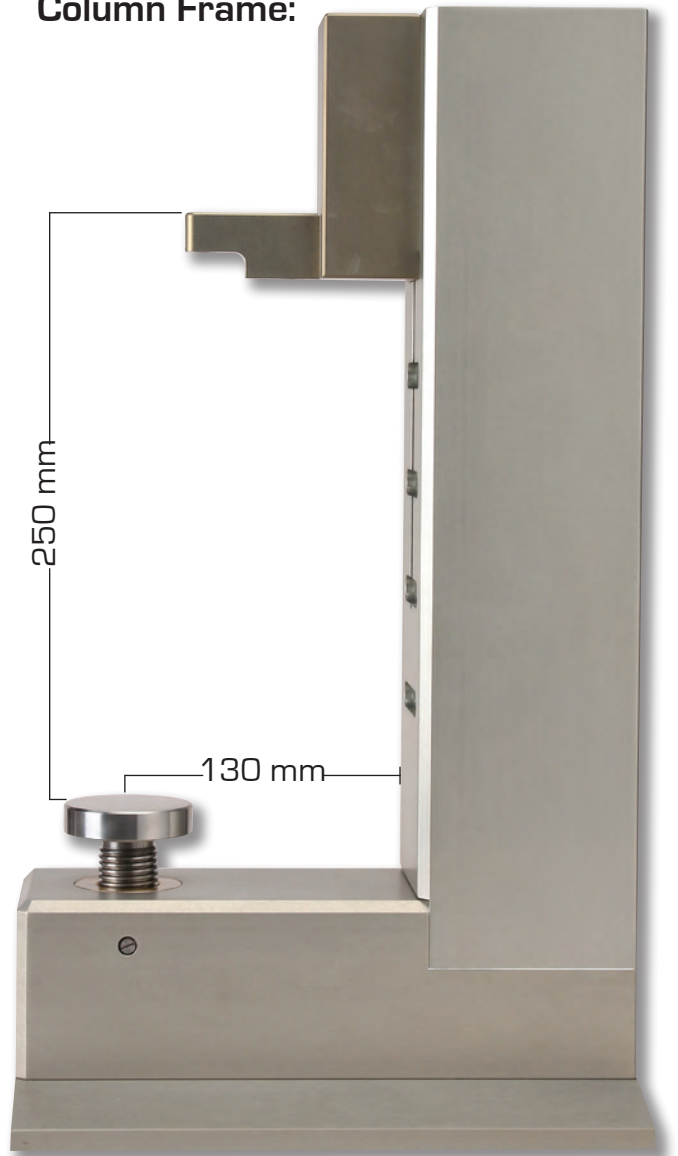
These versatile testers are customizable with different frames to accommodate test specimens of many sizes and shapes.

ACCESSORIES

Retaining Frames



Column Frame:



Tube Testing Frame



Tube Wall Thickness Up to 20 mm

Certified Tester Blocks and Indenters



Bluetooth Printer





G & R TECHNOLOGY INC.

2373 Teller Road, Unit 102
Newbury Park, CA 91320 USA
Tel: (805) 499-8015
Fax: (866) 565-2294
E-mail: sales@grhardnesstester.com
www.grhardnesstester.com



Assembled in USA
US Patent No. 7,066,013
EC Directives: (2004/108/EC)
(2006/95/EC)

