

±1 kN Pneumatic Fatigue-Rated Wedge Action Grips | 2742-103

Designed to suit ElectroPuls™ test instruments, the 2742-103 pneumatic wedge action grips are suitable for tension, compression and reverse-stress testing on a wide range of specimens and materials. The grips are pneumatically operated directly from the machine handset and the open-fronted design provides easy specimen insertion, positioning and clamping.

Features and Benefits

- Dynamic Linear Capacity: ±1 kN (±225 lbf)
- Independent upper and lower jaw faces opening and closing via the handset
- Enhanced usability thanks to software feedback of grip status
- Enhanced control and repeatability of specimen gripping
- Suitable for tension and compression, including full reverse-stress dynamic testing
- Open-fronted design for quick and easy specimen insertion from the front
- Self-tightening, moving body wedge design eliminates slippage and prevents specimen loading
- Interchangeable jaw faces for gripping different materials and specimen geometries and sizes

Application Range

- Types of loading: Tension, compression or reverse-stress testing
- Specimen geometries: Flat or round specimens
- Specimen material: Metallics, plastics, composites, biomaterials
- Temperature range: +10 to +38 °C (50 to 100 °F)

Principle of Operation

The single-acting wedge action principle of these grips is designed to clamp a specimen without applying a compressive load, which could cause a specimen to buckle. The retracting movement of the grip bodies helps to reduce compressive loads that are normally caused when clamping specimens.

The open front design permits quick and easy changing of specimens and jaw faces. Jaw faces optimize gripping performance whilst the serrated faces are designed to minimize damage to the specimen surface.



Specifications

Catalog Number	2742-103	
Maximum Force Capacity	kN	± 1
	lbf	± 225
Grip Mass	Kg	0.7
	lbs	1.54

Compatible Accessories

Catalog Number	Description
2718-013	Pneumatic Air Kit for ElectroPuls Test

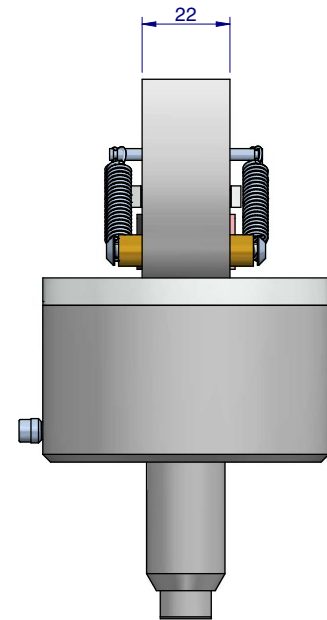
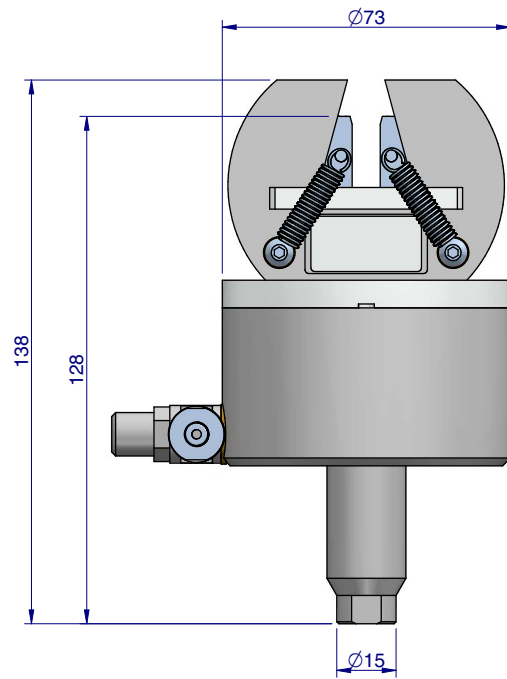
Jaw Faces

Catalog Number	Specimen Type	Specimen Size	Clamping Area (w × h)	
2703-901	mm	Flat	0 to 6.3	26 × 38
2703-902	mm	Round	3 to 8	26 × 38

Note: Jaw face catalog number provides four faces
 Jaw faces are hardened to 48Rc to 52Rc, unless otherwise specified
 All faces are diamond serrated 45°



Flat Serrated Jaw Faces



www.instron.com



Worldwide Headquarters
 825 University Ave, Norwood, MA 02062-2643, USA
 Tel: +1 800 564 8378 or +1 781 575 5000

European Headquarters
 Coronation Road, High Wycombe, Bucks HP12 3SY, UK
 Tel: +44 1494 464646

Instron Industrial Products
 900 Liberty Street, Grove City, PA 16127, USA
 Tel: +1 724 458 9610