

Instron® 2840-117 Compression Platens incorporate LVDT mounting and are designed for reliable compressive high-cycle fatigue testing.

### Principle of Operation

This compression fixture has been designed to easily provide the capability of compression testing. The platens are rigidly fixed and are non self-aligning. They have a high stiffness that resists off-centre loads; this retains the parallelism during specimen failure. The edge of the platen allows for the attachment of an LVDT, allowing you to measure the direct displacement between two equal sized platens during a compression test.

The specimen is placed on the lower platen whilst the upper platen is used to apply an opposing force on the specimen. This allows for high-cycle fatigue compression testing.

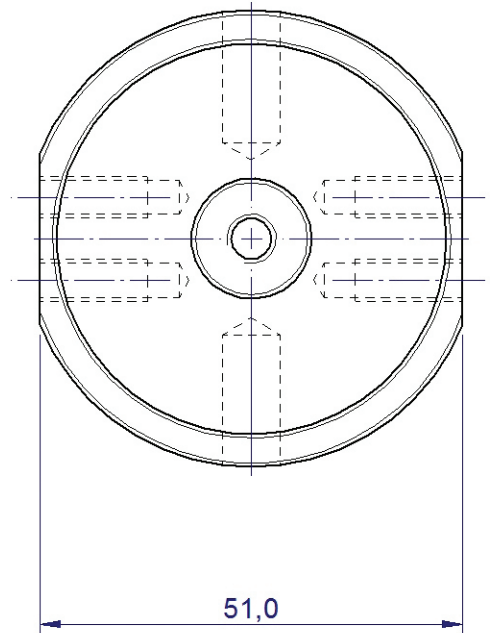
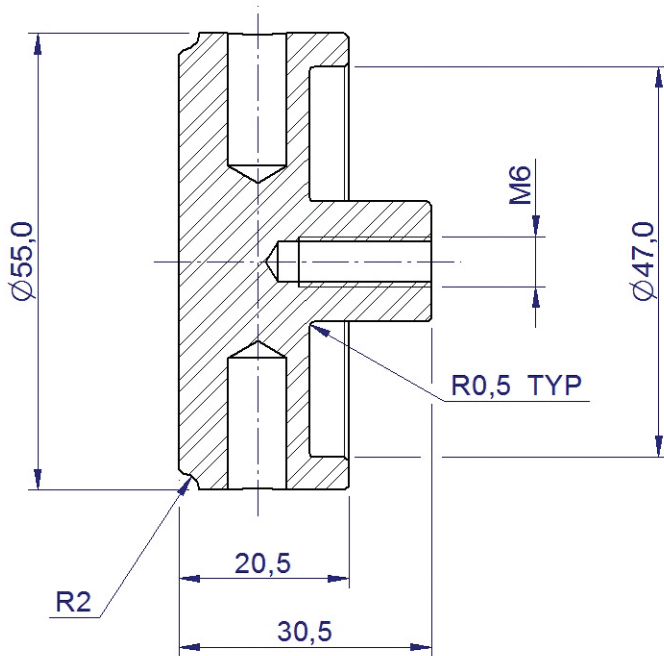
### Features and Benefits

- 3 kN (675 lbs) capacity
- Platen diameter of 50 mm (1.97 in)
- Wide temperature range of -40 to +100 °C (-40 to +212 °F)
- Compatible with 2601-071 LVDT Platen Displacement Fixture and appropriate LVDT. Select from 2601-091/2/3

### Application Range

- Type of loading: Compression - Compression cyclic tests; suitable for high-cycle dynamic fatigue and static tests
- Specimen shapes: Flat and round
- Compatible with ElectroPuls™ E1000





## Specifications

Maximum Force Capacity	kN	3
	lbf	675
Upper & Lower Fitting		M6 × 1 RH Female
LVDT Fitting		2 off M5
Platen Diameter	mm	50
	in	1.97
Temperature Range	°C	-40 to +100
	°F	-40 to +100

## Optional Items for use with 2840-117

Catalog Number	Description
2601-071	LVDT Platen Displacement Fixture
2601-091	LVDT Deflection Sensor, range ±0.5 mm (0.02 in)
2601-092	LVDT Deflection Sensor, range ±2.5 mm (0.1 in)
2601-093	LVDT Deflection Sensor, range ±15 mm (0.6 in)

## Optional Accessories

- LVDT Platen Displacement Fixture: Fitted between compression platens allowing for easy deflection measurement during testing.



[www.instron.com](http://www.instron.com)



Worldwide Headquarters  
825 University Ave, Norwood, MA 02062-2643, USA  
Tel: +1 800 564 8378 or +1 781 575 5000

European Headquarters  
Coronation Road, High Wycombe, Bucks HP12 3SY, UK  
Tel: +44 1494 464646

Instron Industrial Products  
900 Liberty Street, Grove City, PA 16127, USA  
Tel: +1 724 458 9610

Instron is a registered trademark of Illinois Tool Works Inc. (ITW). Other names, logos, icons and marks identifying Instron products and services referenced herein are trademarks of ITW and may not be used without the prior written permission of ITW. Other product and company names listed are trademarks or trade names of their respective companies. Copyright © 2013 Illinois Tool Works Inc. All rights reserved. All of the specifications shown in this document are subject to change without notice.